



**CES-J Series**  
**LED Explosion proof Flood Light**  
**CESP**  
**hazardous locations**



**GesCom S.A.**

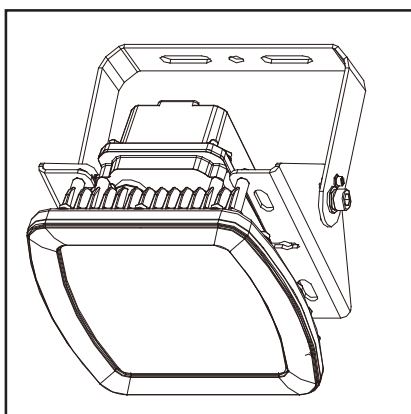
Dirección: Av. Américo Vespucio Norte 1940, Of.1, Conchalí, Santiago  
Contacto: [comercial-2@gescomchile.com](mailto:comercial-2@gescomchile.com)  
WEB: [www.gescomchile.com](http://www.gescomchile.com)  
Telefono: 228870110



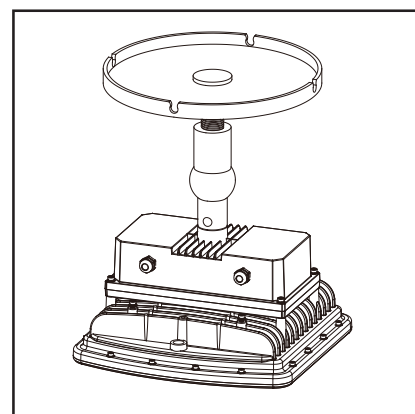
- Available from 20W ( 2,000lm ) - 185W ( 22,200lm )
- Offered with 3 mounting options: U-bracket, wall mount, slipfitter mount
- Type II, III, IV, V and Forward Throw distributions
- 1-10V Dimming, standard
- Motion sensor, photocell and Controller options available
- 100,000+Hours LED lifespan
- **ATEX IECEX UL844 ( CID2 )**
- **PSE, SAA, C-TICK, CE, RoHs, DLC, IP66, IK09, UL1598A for marine**



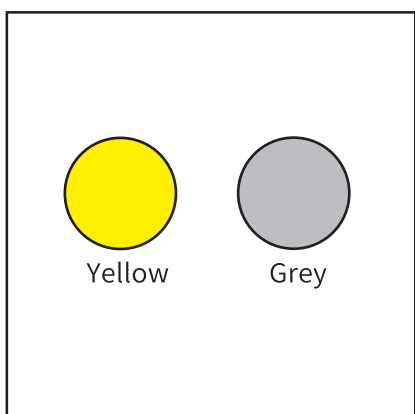
Offer several mounting options to support a variety of applications. (Universal Pole Adapter shown)



Light weight, low-profile design, and a low EPA help reduce the load on a pole.



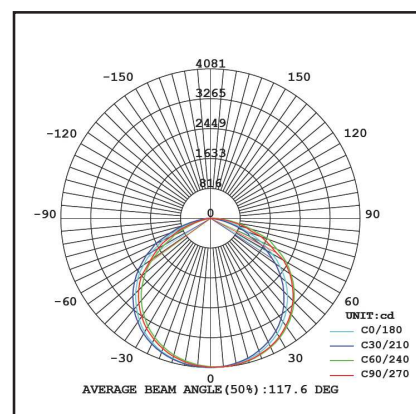
Multi-installation



Yellow/grey available (grey has no texture)



The CESP is a complete cutoff, fully shielded area light that minimizes glare, while reducing light trespass. (The maximum luminous beam angle 120°)



Photometric Data ( 20°, 70°, 90°, 120° )

# Specifications

## UL:

Suitable for wet locations  
Operating temperature: -40°C to +55°C (-40°F to 131°C)

## LEDs:

Long-life, high-efficiency, micro-power, surface mount LEDs

## Drivers(s):

Class 2, 50/60Hz. 100 - 277V, 4kV standard, 6kV optional surge protection

## Lifespan:

100,000+hour LED lifespan based on IES LM-80 results & TM-21 calculations at 25°C

## IP Rating:

Ingress Protection rating of NEMA 4/4X (IP66) for dust and water

## Housing:

Die-cast aluminum housing

## Mounting:

U-Bracket, slipfitter or wall mount options available

## Lens:

High transmittance explosion-proof glass

Effective Projected Area:

EPA = 0.61

## Vibration Rating:

3G vibration tested per ANSI C136.31

## Dimming Driver:

Driver includes dimming control wiring for 1-10V dimming systems. Requires separate 1-10V DC dimming circuit. Dims as low as 10%. (Optional dimming and non-dimming)

## CCT:

Available in 2700K ~ 6500K color temperatures

## CRI:

Minimum CRI of  $\geq 70$

## Beam angle:

Standard distribution is NEMA floodlight (Type2-6)Wide Flood

## Color Stability:

LED color temperature is warranted to shift no more than 200K in CCT over a 5-years period

## Color Uniformity:

CESP' s range of CCT (Correlated Color Temperature) follows the guidelines of the American National Standard for Specifications for the Chromaticity of Solid State Lighting (SSL) Products, ANSI C78.377-2017.

## Finish:

Formulated for high durability and long-lasting color

## Green Technology:

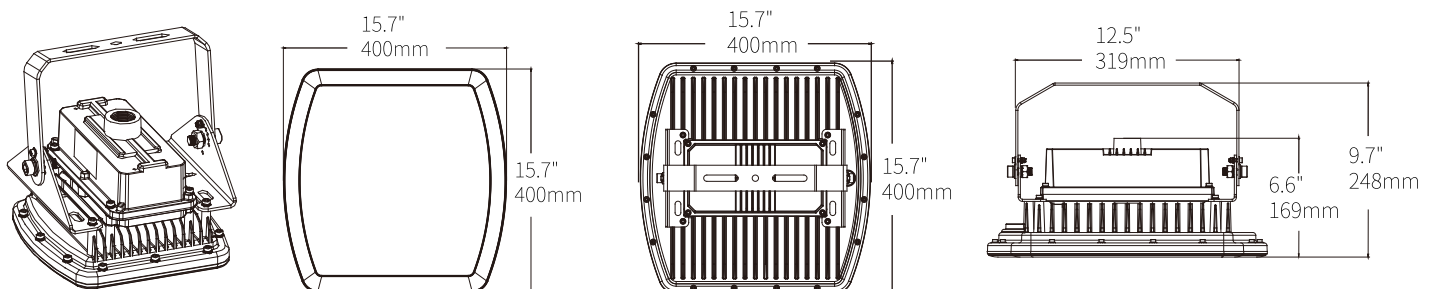
Mercury and UV free. RoHS-compliant components

## IESNA LM-79 Testing:

CESP LED luminaires have been tested by an independent laboratory in accordance with IESNA LM-79

## Product size:

Series models	Product size
CES-J200/J150/J120	400*400*169mm(15.7*15.7*6.6")
CES-J100/J80/J60	300*300*165mm(11.8*11.8*6.4")
CES-J40/J30/J20	200*200*147mm(7.8*7.8*5.7")



# GesCom S.A.

Dirección: Av. Américo Vespucio Norte 1940, Of.1, Conchalí, Santiago  
Contacto: comercial-2@gescomchile.com  
WEB: www.gescomchile.com  
Telefono: 228870110



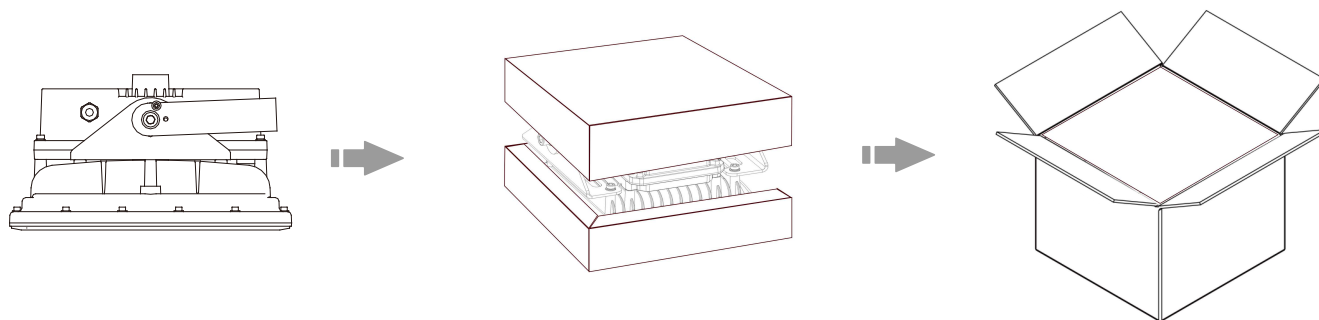
# Performance and Packaging

## Performance

Product Model	CES-J40	CES-J100	CES-J200
Type	LED Explosion proof Flood Light		
Base	Top loading / WM - Wall Mount / PA - Universal Pole Mount / Ring Installation		
Power (W)	40	100	185
Voltage - Frequency	100-277Vac 50-60Hz		
Color Temp	5000K (Provides 2700K to 6500K)		
CRI (Ra) (typ.)	≥70		
Luminous Flux (lm)	4800	12000	22000
Bare Lamp efficacy (LPW)	120		
Beam Angle	20°, 70°, 90°, 120°		
Power Factor	>0.95		
Rated Lifetime - L70 (hrs.)	50,000		
Dia. x MOL	200*200*147mm(7.8*7.8*5.7")	300*300*165mm (11.8*11.8*6.4")	400*400*169mm (15.7*15.7*6.6")
Housing	ADC12 Aluminum+Explosion-proof glass		

## This Product is Packed With U-type Dracket as Standard Package.

Product Model	Product size(mm)	Carton Size	QTY/CTN	Net Weight	Gross Weight
CES-J200/J150/J120	400*400*169mm(15.7*15.7*6.6")	460*460*240mm(18.1*18.1*9.4")	1	10.5kg/23.1lbs	12.0kg/26.4lbs
CES-J100/J80/J60	300*300*165mm(11.8*11.8*6.4")	370*370*240mm(14.5*14.5*9.4")	1	7.5kg/16.5lbs	9.0kg/19.8lbs
CES-J40/J30/J20	200*200*147mm(7.8*7.8*5.7")	360*250*200mm(14.1*14.1*7.8")	1	4.0kg/8.8lbs	5.0kg/11.0lbs



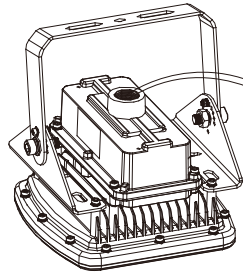
**GesCom S.A.**

Dirección: Av. Américo Vespucio Norte 1940, Of.1, Conchalí, Santiago  
 Contacto: comercial-2@gescomchile.com  
 WEB: www.gescomchile.com  
 Telefono: 228870110

# Mountings, Dimensions & Weights

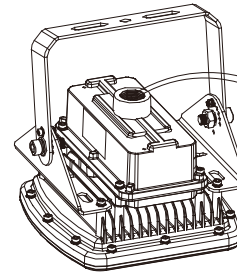
Wire colour

UL:



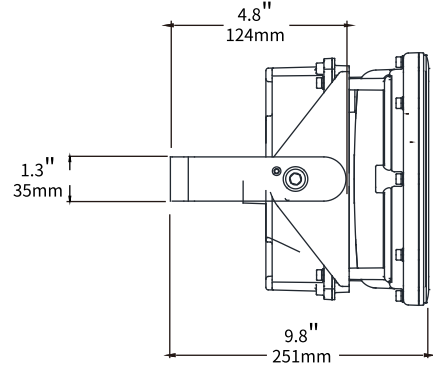
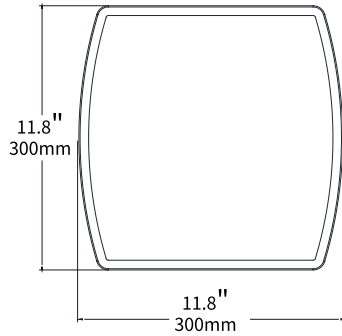
L — L: white  
G — G: green  
N — N: black

ATEX:  
IECEX:

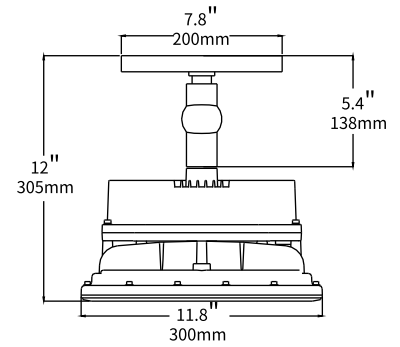
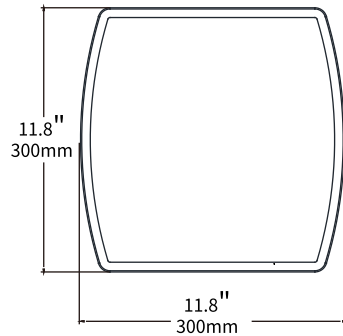


L — L: brown  
G — G: Yellow-green  
N — N: blue

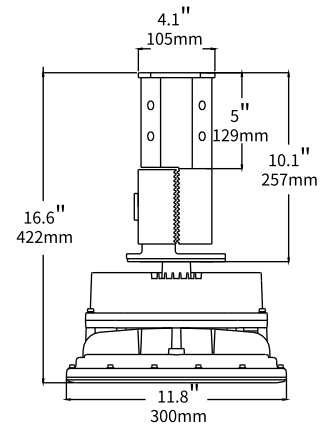
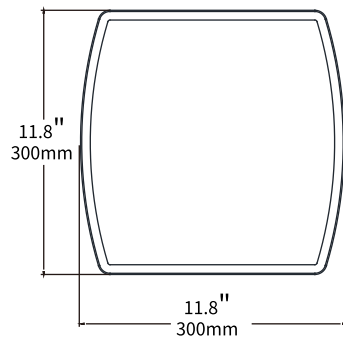
Top loading  
Weight: 7.5kg (16.5lbs)



WM - Wall Mount



PA - Stanchion mount



Ring Installation

